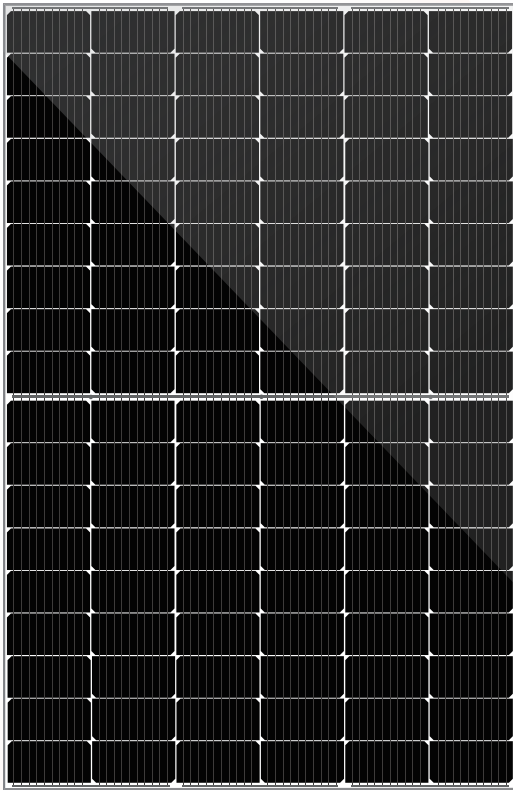


ASM 108HC

High Performance Mono Perc Module

400-410w



Key Features



Multi Busbar Technology

Better light trapping and current collection to improve module power output and reliability.



Reduced Hot Spot Loss

Optimized electrical design and lower operating current for reduced hot spot loss and better temperature coefficient.



Anti PID

Ensured PID resistance through the quality control of cell manufacturing process and raw materials.



Durability Against Extreme Environmental Conditions

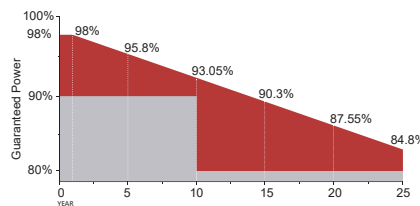
High salt mist and ammonia resistance.



Enhanced Mechanical Load

Certified to withstand: wind load (2400 Pascal) and snow load (5400 Pascal).

Linear Performance Warranty



12 YEARS 12-year product warranty

30 YEARS 30-year linear power output warranty

108CELLS

Mono Module

400-410Wp

Power Output Range

1500VDC

Maximum System Voltage

21%

Maximum Efficiency

Comprehensive
Products and System Certificates



IEC 61215 / IEC 61730 / CE / FIDE / INMETRO

ISO 45001-

2018/International standards for occupational health & safety

ISO 14001-

2015/Standards for environmental management system

ISO 9001-

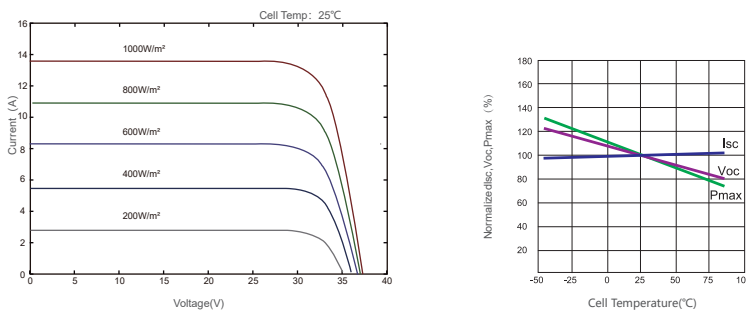
2015/Quality management system

Electrical characteristics

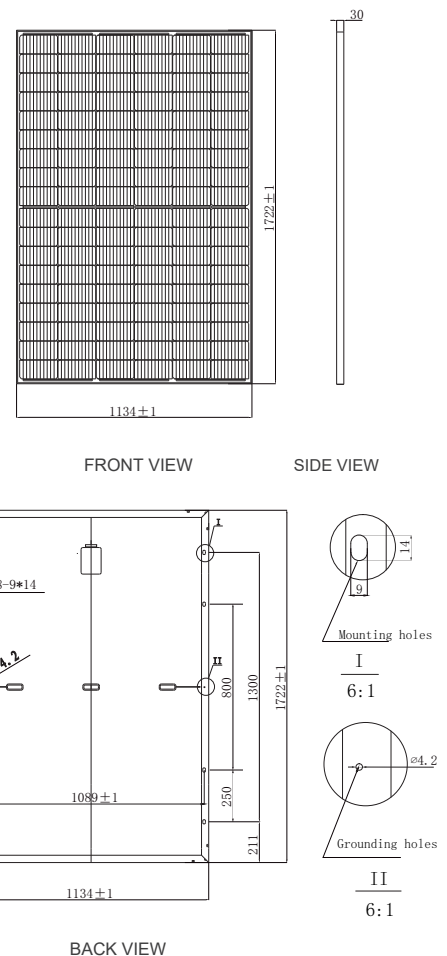
Module Type	400W		405W		410W	
	STC	NOCT	STC	NOCT	STC	NOCT
Maximum Power At STC(Pmax)	400W	301.3W	405W	305.1W	410W	308.9W
Short Circuit Current(Isc)	13.70A	11.07A	13.77A	11.13A	13.85A	11.19A
Open Circuit Voltage(Voc)	37.1V	34.7V	37.4V	35.0V	37.6V	35.1V
Maximum Power Current(Imp)	12.86A	10.49A	12.94A	10.55A	13.02A	10.61A
Maximum Power Voltage(Vmpp)	31.1V	28.7V	31.3V	28.9V	31.5V	29.1V
Module Efficiency	20.48%		20.74%		21.00%	
Power Tolerance	0~+5W		0~+5W		0~+5W	
Maximum System Voltage	VDC 1500V					
Maximum Series Fuse	25A					
Increased Snowload Acc.to Iec 61215	5400Pa					
Operating Temperature	-40~+85°C					
Number Of Bypass Diodes	3					
Norminal Operating Cell Temperature(Noct)	45°C±2°C					
Temperature Coefficient Of Pmax	-0.35%/°C					
Temperature Coefficient Of Voc	-0.27%/°C					
Temperature Coefficient Of Isc	0.05%/°C					

STC: 1000W/m² irradiance, 25°C cell temperature, AM1.5. NOCT: Irradiance at 800W/m², Ambient Temperature 20°C, wind speed 1m/s.

I-V Curve



Design



The structural characteristics

Cell Type	Mono Crystalline 182x91mm
Number Of Cells	108 (6x18)
Dimensions(AxBxC)	1722*1134*30mm
Weights	22.0kg
Glass	3.2mm Tempered Low Iron Glass
Aluminium Frame	Anodised Aluminium
Junction Box	Split Junction Box (IP68 ,three diode)
Connector	Mc4 Compatible
Output Cables	4.0mm ² , +300mm, -300mm Customized Length

Packing Configuration

Container	40' HQ
Pieces Per Pallet	31
Pallets Per Container	806